

Data Sheet For Power Pack EC-68 // EHS-D3-Y

With rotary actuator STK100 - 2700

Description

The PLEIGER Power Pack EC-68 is an electro-hydraulic actuator control for highest demands in compact design. A powerful hydraulic unit combined with comprehensive automation combines the advantages of electric and hydraulic actuators. Whether on-site or remotely, the Power Pack EC-68 offers maximum flexibility and enables reliable control of your rotary driven valve. Whether high torque or variable travel time, our actuator will meet your requirements.

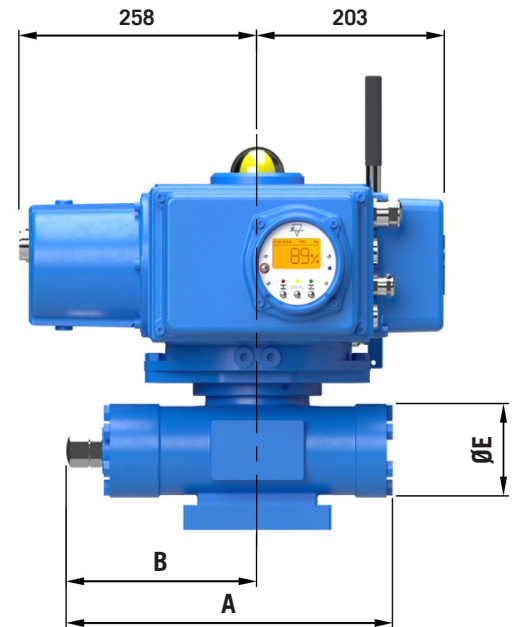
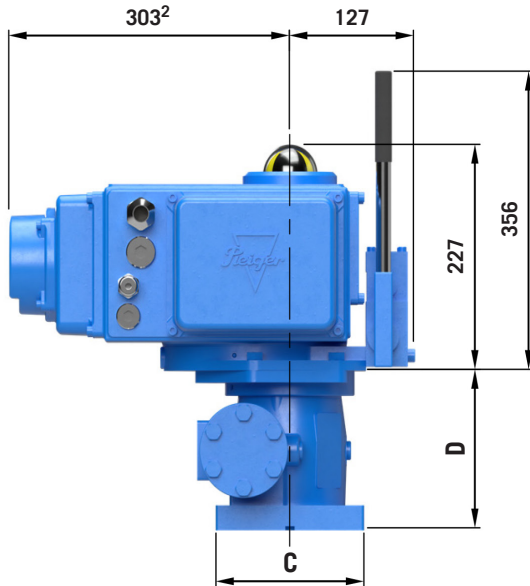


General Data

Maximum torque:	Appr. 31 000 Nm
Rotary angle:	90° +/-4°
End position adjustment:	On one side, both sides (on request)
Material housing:	GGG40, GGG40.3, bronze (others on request)
Ambient temperature:	-20 to 60 °C (others on request)
Possible installation location:	Dry, temporarily submerged
Protection class:	IP67, IP68 (on request)
Position feedback:	Open/closed, analog (4-20 mA)
Explosion protection:	ATEX or IECEx (on request)
Emergency Operation:	Directly attached hand pump, portable hand pump
Open/Closed travel time:	Normal, variable speed sections by integrated frequency converter ¹
Nominal voltage:	230/400 V (single phase - 3 phase - 50/60 Hz)
Functional safety:	SIL acc. IEC 61508 (on request)
Connecting dimensions:	Acc. to DIN ISO 5211

¹ Travel times depend on the installed motor/pump combination

Data Sheet For Power Pack EC-68 // EHS-D3-Y-(FC¹)



Technical Specifications

		STK100	STK200	STK420	STK600	STK900	STK1400	STK2700
Torque in Nm at 150 bar		1100	2380	4920	7035	10940	16060	31020
Displacement in cm ³ for 90°		134	290	600	857	1332	1956	3777
Positioning time in s 1-230V at 50Hz S3-10%	0,4 kW	8	17	34	49	77	112	217
	0,8 kW	3	7	15	21	33	49	94
Positioning time in s 1-400V at 50Hz S3-10%	0,6 kW	6	13	26	37	58	85	165
	1,1 kW	3	6	12	17	26	39	75

Dimensions

		STK100	STK200	STK420	STK600	STK900	STK1400	STK2700
Valve shaft max.	■	30	40	55	60	75	85	80
	Ø	35	48	65	80	100	120	115
Flange		F10-F14	F10-F16	F14-F16	F16-F25	F25-F30	F25-F30	F30-F35
A		353	451	565	605	675	757	915
B		207	260	318	336	367	414	525
C		165	199	248	305	347	373	463
D		160	190	218	225	240	255	337
ØE		95	115	140	170	195	218	286

¹ FC = Frequency converter

² With frequency converter the dimension changes from 303 to 473

The technical data given are solely for the purpose of product and function description and are not to be understood as warranted properties under German law.