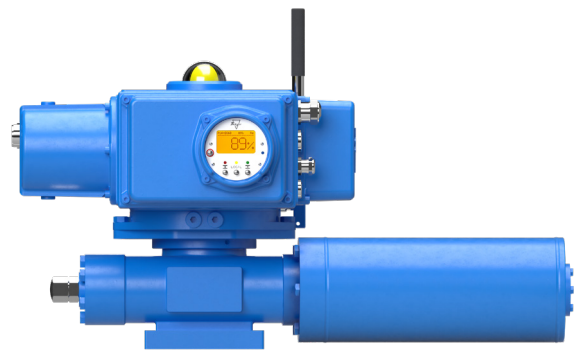


## Data Sheet For Power Pack EC-68 // EHS-SG-Y

With rotary actuator STK100 - 2700

### Description

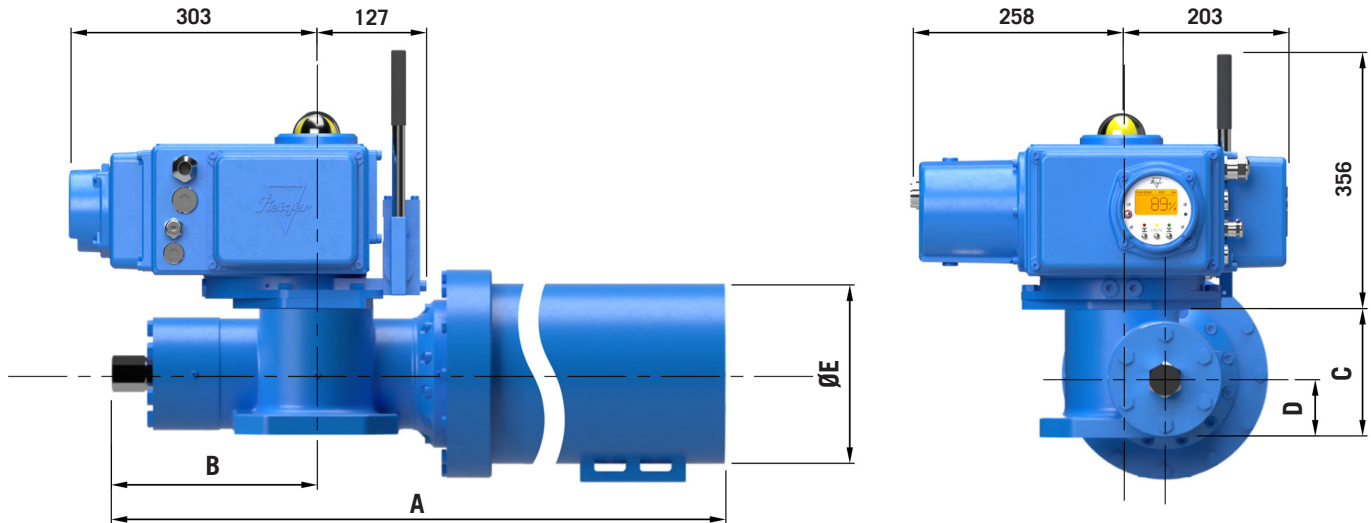
The PLEIGER Power Pack EC-68 is an electro-hydraulic actuator control for highest demands in compact design. A powerful hydraulic unit combined with comprehensive automation combines the advantages of electric and hydraulic actuators. Whether on-site or remotely, the Power Pack EC-68 offers maximum flexibility and enables reliable control of your rotary driven valve. Whether high torque, variable travel time or fail safe function, our actuator will meet your requirements.



### General Data

Maximum torque:	Appr. 13 000 Nm
Rotary angle:	90° +/-4°
End position adjustment:	On one side, both sides (on request)
Material housing:	GGG40, GGG40.3, bronze (others on request)
Ambient temperature:	-20 to 60 °C (others on request)
Possible installation location:	Dry, temporarily submerged
Protection class:	IP67, IP68 (on request)
Position feedback:	Open/closed, analog (4-20 mA)
Explosion protection:	ATEX or IECEx (on request)
Emergency Operation:	Directly attached hand pump, portable hand pump
Open/Closed travel time:	<1s fail safe
Nominal voltage:	230/400 V (single phase - 3 phase - 50/60 Hz)
Functional safety:	SIL acc. IEC 61508 (on request)
Connecting dimensions:	Acc. to DIN ISO 5211

## Data Sheet For Power Pack EC-68 // EHS-SG-Y



### Technical Specifications

			STK100	STK200	STK420	STK600	STK900	STK1400	STK2700
Torque in Nm at 150 bar	OT		530	950	2120	3270	4380	6970	13170
	CT		330	610	1160	1970	2910	4190	11110
Displacement in cm <sup>3</sup> for 90°			134	290	600	857	1332	1956	3777
Positioning time <sup>2</sup> in s 1-230V at 50Hz S3-10%	0,4 kW	OP	8	17	34	49	77	112	217
		CL	0,9	1,7	3,6	4,7	7,3	10,8	21
	0,8 kW	OP	3	7	15	21	33	49	94
		CL	0,9	1,7	3,6	4,7	7,3	10,8	21
Positioning time in s 3-400V at 50Hz S3-10%	0,4 kW	OP	6	13	26	37	58	85	165
		CL	0,9	1,7	3,6	4,7	7,3	10,8	21
	0,8 kW	OP	3	6	12	17	26	39	75
		CL	0,9	1,7	3,6	4,7	7,3	10,8	21

### Dimensions

			STK100	STK200	STK420	STK600	STK900	STK1400	STK2700
Valve shaft max.	■		30	40	55	60	75	85	80
	Ø		35	48	65	80	100	120	115
Flange			F10-F14	F10-F16	F14-F16	F16-F25	F25-F30	F25-F30	F30-F35
A			702	955	1195	1299	1372	1418	2260
B			207	260	318	336	367	414	525
C			165	199	248	305	347	373	463
D			160	190	218	225	240	255	337
ØE			140	194	219	273	324	356	457

<sup>1</sup> OT: Opening Torque (by hydraulic pressure) in opened position; CT: Closing Torque (by spring force) in closed position.

<sup>2</sup> OP: Opening Times; CL: minimal values of closing times (spring closing) are given. Longer positioning times can be set continuously.

The technical data given are solely for the purpose of product and function description and are not to be understood as warranted properties under German law.